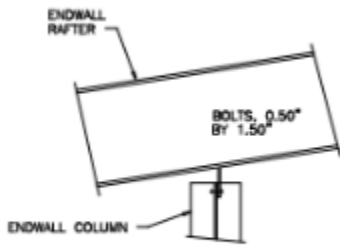
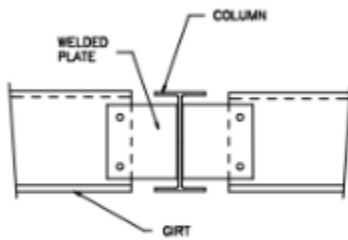


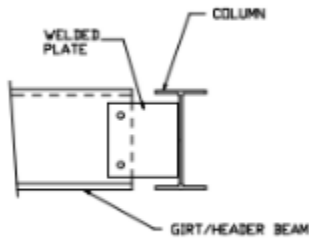
A7 SECTION THRU ENDWALL RAFTER



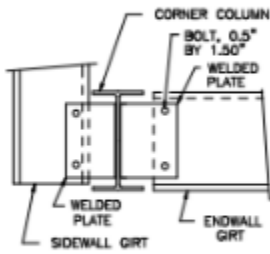
B6 ENDWALL RAFTER TO COLUMN



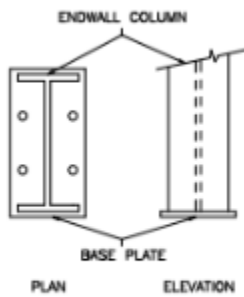
C6 GIRT TO COLUMN



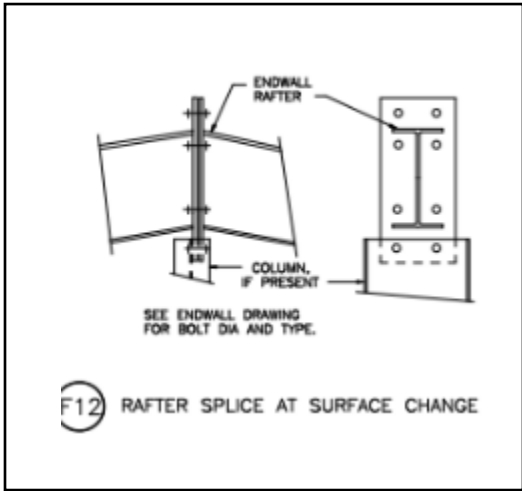
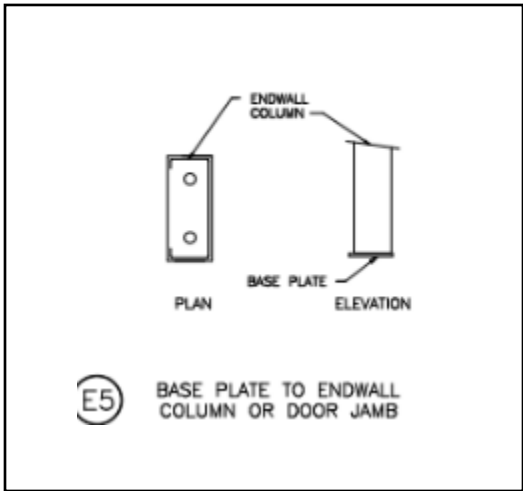
C15 GIRT/HEADER BEAM TO R/W COLUMN

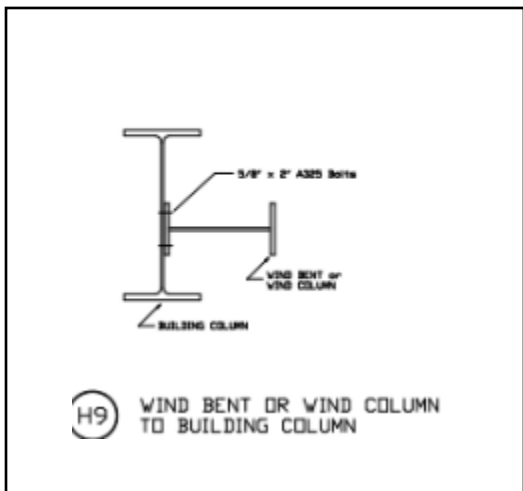
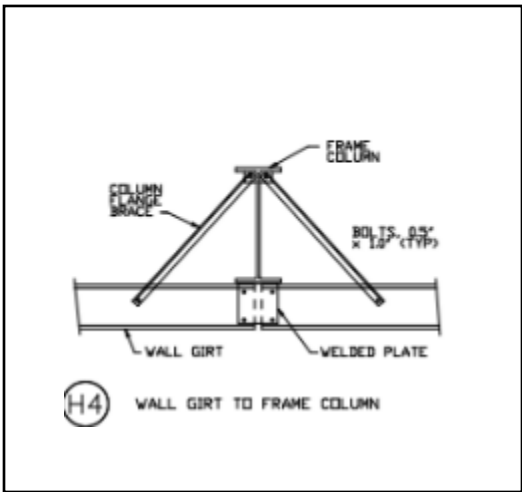
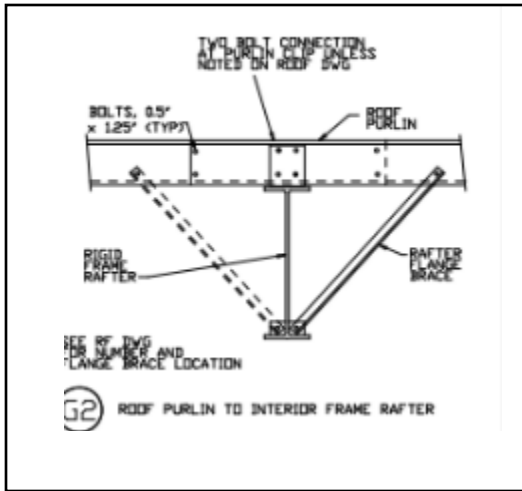


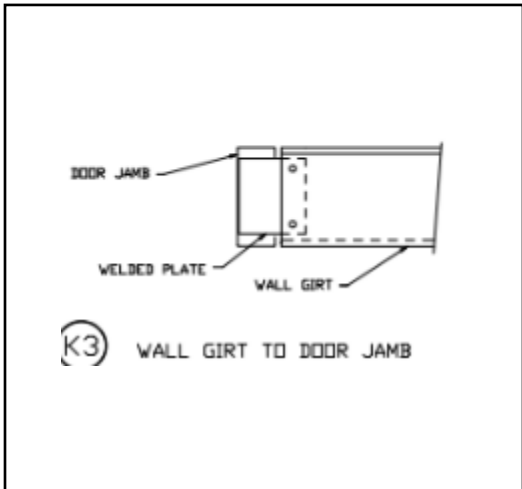
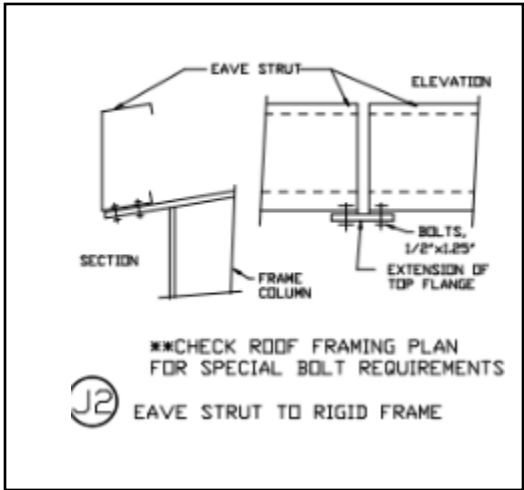
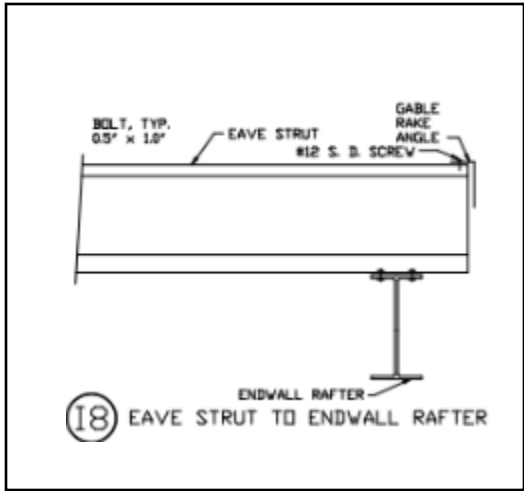
D6 CORNER COLUMN TO WALL GIRT

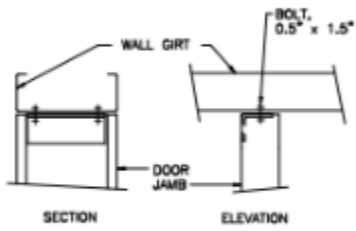


E3 BASE PLATE FOR ENDWALL COLUMN

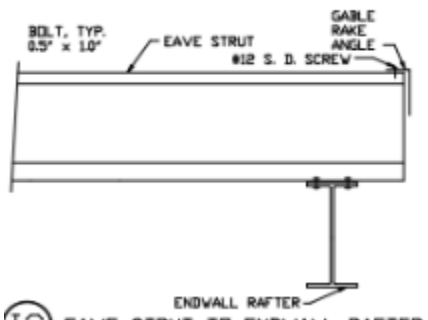




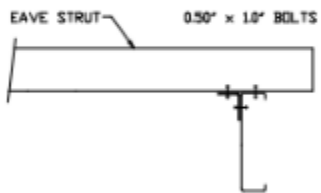




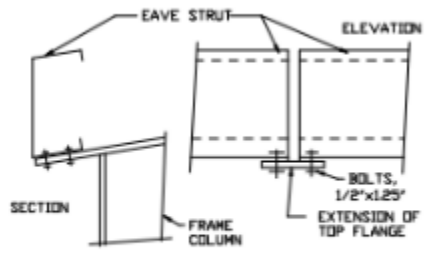
(L8) DOOR JAMB TO WALL GIRT



(I8) EAVE STRUT TO ENDWALL RAFTER

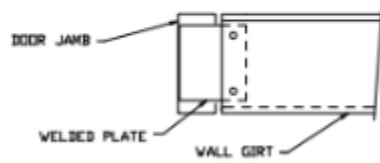


(I19) EAVE STRUT TO ENDWALL RAFTER

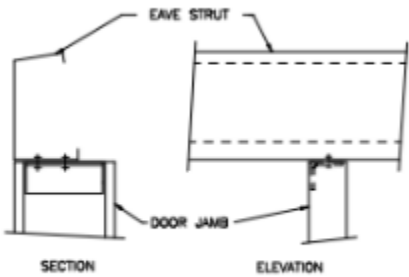


***CHECK ROOF FRAMING PLAN FOR SPECIAL BOLT REQUIREMENTS

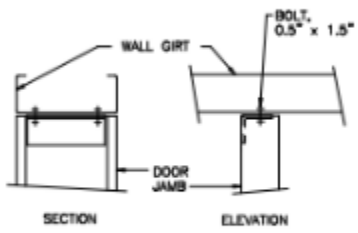
(J2) EAVE STRUT TO RIGID FRAME



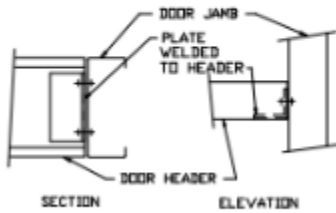
(K3) WALL GIRT TO DOOR JAMB



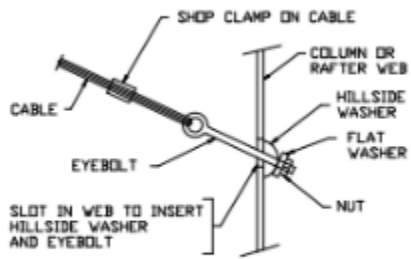
(L3) DOOR JAMB TO EAVE STRUT



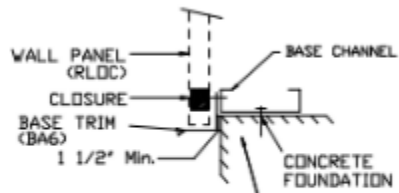
(L8) DOOR JAMB TO WALL GIRT



(M3) DOOR HEADER TO DOOR JAMB
BOLTS, 1/2" BY 1.25" (TYP)

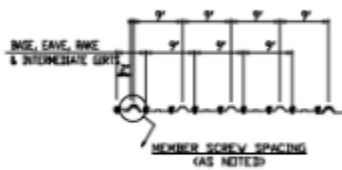


Q2 DIAGONAL CABLE, EYEBOLT END



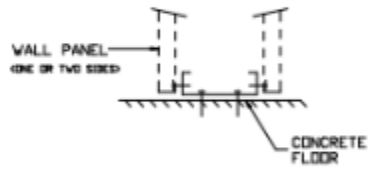
BY OTHERS, MUST BE ADEQUATE TO SAFELY RESIST THE LOADS IN THE REACTION REPORT.

T1 SECTION THRU WALL PANEL AND CONCRETE FOUNDATION

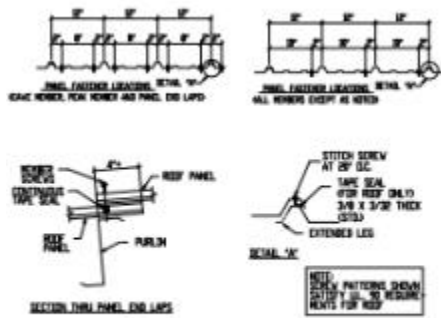


"PLAC" PANEL AT LINE FASTENER LOCATION

SCREW_9

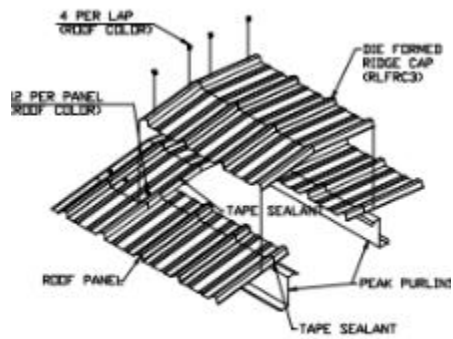


T14 SECTION THRU PARTITION BASE AND CONCRETE FLOOR



"BLOC" PANEL AT ROOF FASTENER LOCATION

SCREW_4



T23 DIE FORMED RIDGE CAP

